



WINDOW PRODUCTS LIMITED

Effective solutions for windows manufacturers and fitters

Unit 4203 Oakfield Close,
Tewkesbury Business Park,
Tewkesbury, Glos
GL20 8PF

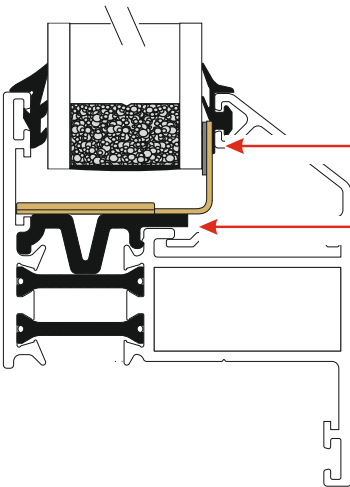
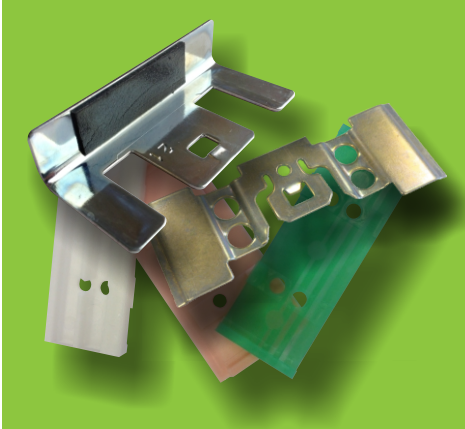
T: 01684 290944

E: sales@gtwindowproducts.co.uk

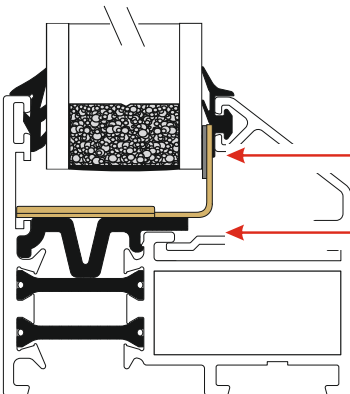
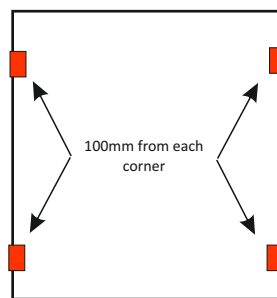
W: www.gtwindowproducts.co.uk

GT Securi-Clip

Patent No. GB2403979B



- SECURI-CLIP
Use SC125 for 24mm units
Use SC121 for 28mm units
- Use SB000 Base Plate
with no Packer



- SECURI-CLIP
Use SC125 for 24mm units
Use SC121 for 28mm units
- Use SB000 Base Plate
with no Packer

Use same combination for all transoms and mullions with fixed glazed units.

When fixing into Polyamide use a double helix thread screw eg ACET 490

All drawings are not to scale

GT SECURI-CLIP is a patented glass retention system which, when fitted in the appropriate numbers and position, assists internally and externally beaded windows and doors to meet the requirements of PAS 23/24. (see system test reports)

The clip set assembly is comprised of a baseplate, a clip to suit the sealed unit thickness and a buffer to prevent contact between glass and clip. A profile related packer is available to adapt the base when required for recessed profile.

GT SECURI-CLIP may be used on PVCu, Aluminum or Timber windows and doors.

Assembly into a window or door frame is quick and easy either for on site glazing or factory glazing, which ever suits your own requirements.

The operation of de-glazing is simplified by using a designated key.

Smarts Intruder

